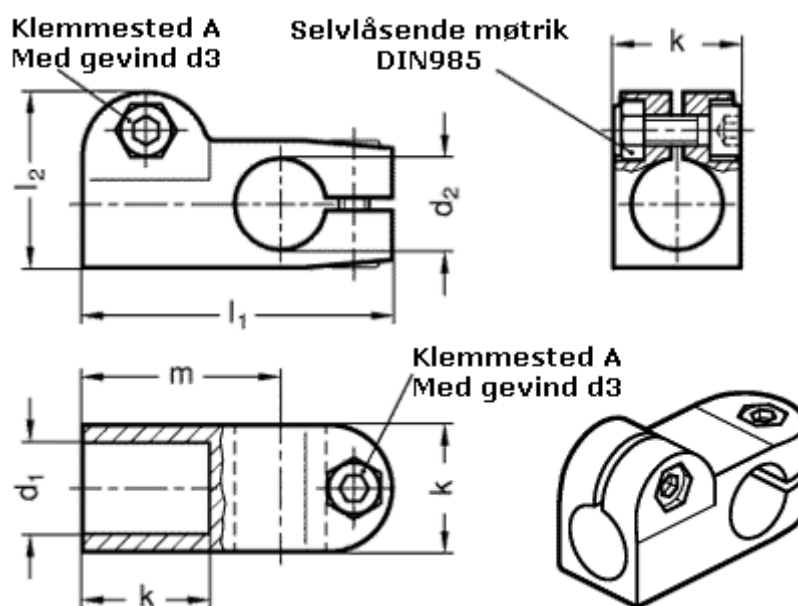


Article number: 20191B12B122SW

Description: E+G

T-angle clamps GN191-B12-B12-22-SW

Measures



$d_1 = B12$

$d_2 = B12$

$d_3 = M 6$

$k = 25$

$l_1 = 61$

$l_2 = 34.5$

$m = 39$